

Eaton B809B-16HDG

Catalog Number: B809B-16HDG

Eaton B-Line series pole bracket, 22.75" H x 16" L x 7.1250" W,
Steel, Hot-dipped galvanized

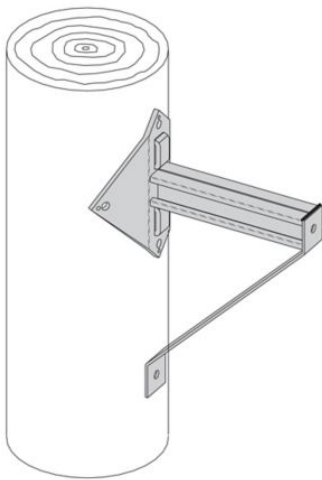


Photo is representative

General specifications

Product Name	Catalog Number
Eaton B-Line series pole bracket	B809B-16HDG
UPC	Product Length/Depth
782051238488	16 in
Product Height	Product Width
22.75 in	7.125 in
Product Weight	Certifications
6.125 lb	Not Applicable

Model

Type

Bracket

Material/finish

Finish

Hot-dipped galvanized

Material

Steel

Resources

Catalogs

[Channel Nuts and Hardware Catalog Section](#)

[Strut Fittings Catalog Section](#)

Specifications and datasheets

[Eaton Specification Sheet - B809B-16HDG](#)



Eaton Corporation plc
Eaton House
30 Pembroke Road
Dublin 4, Ireland
Eaton.com
© 2024 Eaton. All Rights Reserved.

Eaton is a registered trademark.

All other trademarks are property of their respective owners.



[Eaton.com/socialmedia](https://www.eaton.com/socialmedia)